

## PERFECT cable gland

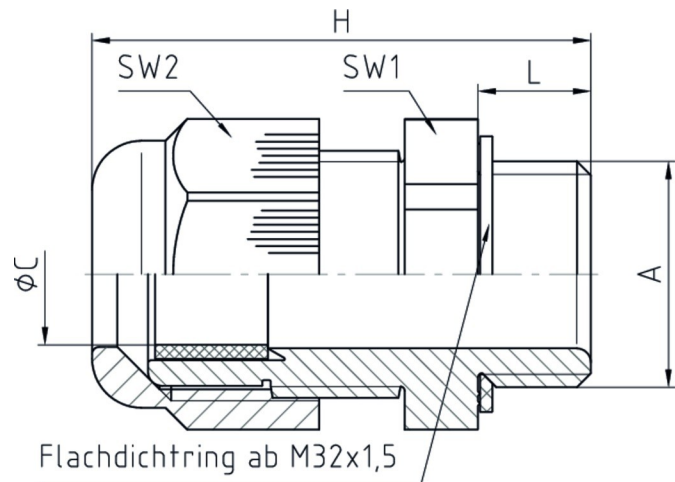
50.6xx PA/FLzzzz

Dome nut	Polyamide PA6 V-0
Sealing ring	Polychloroprene-Nitrile rubber CR/NBR
Gland body	Polyamide PA6 V-0
Connecting thread	metric, as per EN 60423



### Properties

	<ul style="list-style-type: none"> <li>for superior claims on firing protection</li> <li>classified polyamide materials from the classes I2 and F2 according to the French standard NF F 16-101</li> <li>integrated anchorage</li> <li>wide sealing and clamping range</li> <li>easy-to-install</li> </ul>
Temperature range (°C)	-20 +100
Glow wire test	+960°C at 0,8 mm wall thickness
Protection grade	68
Test standard	UL 514B
UL / CSA-File	E140310
GL T.A. Certificate	44 608 - 07 HH
Comment	details about tests - see annex hexagonal locknuts of polyamide PA6 V-0 see 50.2xx PA/FLzzzz





### Features



RAL 9005

Connecting thread standard length

A	ØC	L	SW1	SW2	H		Part No.
M12x1,5	3 - 6	8	15	15	31	100	50.612 PA/FLSW
M16x1,5	5 - 10	8	20	20	35,5	100	50.616 PA/FLSW
M20x1,5	8 - 13	8	24	24	36	100	50.620 PA/FLSW
M25x1,5	11 - 17	8	29	29	43	50	50.625 PA/FLSW
M32x1,5	15 - 21	10	36	36	50	25	50.632 PA/FLSW
M40x1,5	19 - 28	10	46	46	51	10	50.640 PA/FLSW


A	ØC	L	SW1	SW2	H		Part No.
---	----	---	-----	-----	---	--	----------

M50x1,5	27 - 35	12	55	55	61,5	5	50.650 PA/FLSW
M63x1,5	32 - 42	12	68	38	65,5	5	50.663 PA/FLSW



RAL 7035

Connecting thread standard length


A	ØC	L	SW1	SW2	H		Part No.
---	----	---	-----	-----	---	--	----------

M12x1,5	3 - 6	8	15	15	31	100	50.612 PA/FL7035
M16x1,5	5 - 10	8	20	20	35,5	100	50.616 PA/FL7035
M20x1,5	8 - 13	8	24	24	36	100	50.620 PA/FL7035
M25x1,5	11 - 17	8	29	29	43	50	50.625 PA/FL7035
M32x1,5	15 - 21	10	36	36	50	25	50.632 PA/FL7035
M40x1,5	19 - 28	10	46	46	51	10	50.640 PA/FL7035
M50x1,5	27 - 35	12	55	55	61,5	5	50.650 PA/FL7035
M63x1,5	32 - 42	12	68	68	65,5	5	50.663 PA/FL7035



RAL 7032

Connecting thread standard length

A	ØC	L	SW1	SW2	H		Part No.
---	----	---	-----	-----	---	--	----------

M12x1,5	3 - 6	8	15	15	31	100	50.612 PA/FL
M16x1,5	5 - 10	8	20	20	35,5	100	50.616 PA/FL
M20x1,5	8 - 13	8	24	24	36	100	50.620 PA/FL
M25x1,5	11 - 17	8	29	29	43	50	50.625 PA/FL
M32x1,5	15 - 21	10	36	36	50	25	50.632 PA/FL
M40x1,5	19 - 28	10	46	46	51	10	50.640 PA/FL
M50x1,5	27 - 35	12	55	55	61,5	5	50.650 PA/FL
M63x1,5	32 - 42	12	68	68	65,5	5	50.663 PA/FL