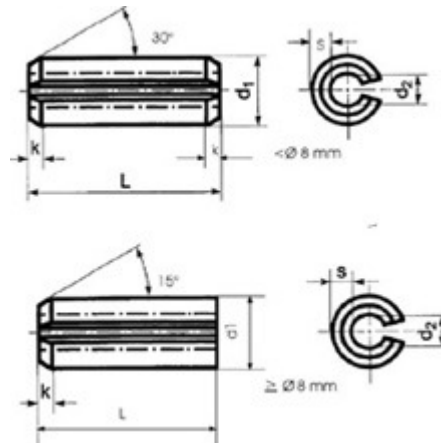


DIN 1481 SPANSTIFT



| d (nom.) | 1.5 | 2 | 2.5 | 3 | 3.5 | 4 | 4.5 | 5 | 6 | 7 |
|----------|------|------|------|------|------|-------|-------|-------|-------|------|
| d1 min | 1.7 | 2.3 | 2.8 | 3.3 | 3.8 | 4.4 | 4.9 | 5.4 | 6.4 | 7.5 |
| d1 max | 1.8 | 2.4 | 2.9 | 3.5 | 4 | 4.6 | 5.12 | 5.6 | 6.7 | 7.8 |
| d2 | 1.1 | 1.5 | 1.8 | 2.1 | 2.3 | 2.8 | 2.9 | 3.4 | 3.9 | 4.5 |
| s | 0.3 | 0.4 | 0.5 | 0.6 | 0.75 | 0.8 | 1 | 1 | 1.25 | 1.5 |
| a* | 0.25 | 0.35 | 0.4 | 0.5 | 0.6 | 0.65 | 0.8 | 0.9 | 1.2 | 2 |
| 1* | 0.79 | 1.41 | 2.19 | 3.16 | 4.53 | 5.62 | 7.68 | 8.77 | 13.02 | 15.7 |
| 2* | 1.58 | 2.82 | 4.38 | 6.32 | 9.06 | 11.24 | 15.36 | 17.54 | 26.04 | 31.4 |

| d (nom.) | 8 | 9 | 10 | 12 | 13 | 14 | 16 | 18 | 20 |
|----------|-------|-------|-------|-------|-------|-------|-------|--------|--------|
| d1 min | 8.5 | 9.5 | 10.5 | 12.5 | 13.5 | 14.4 | 16.5 | 18.5 | 20.5 |
| d1 max | 8.8 | 9.8 | 10.8 | 12.8 | 13.8 | 14.8 | 16.8 | 18.9 | 20.9 |
| d2 | 5.5 | 5.5 | 6.5 | 7.5 | 8.5 | 8.5 | 10.5 | 11.5 | 12.5 |
| s | 1.5 | 2 | 2 | 2.5 | 2.5 | 3 | 3 | 3.5 | 4 |
| a* | 2 | 2 | 2 | 2 | 2 | 2 | 2 | 2 | 3 |
| 1* | 21.38 | 30.33 | 35.08 | 52.07 | 57.55 | 72.36 | 85.51 | 111.27 | 140.32 |
| 2* | 42.76 | 60.66 | 70.16 | 104.1 | 115.1 | 144.7 | 171 | 222.5 | 280.6 |

Bekijk de scherpe prijzen van WWW.TECHWINKEL.NL
Wanneer u zich als bedrijf registreert op onze site, krijgt u nog eens 35% korting!